



JOBSITE STORAGE SOLUTIONS

INSTALLATION AND REPAIR PARTS MANUAL

Models 2032, 2048, 2060, 3068
KNAACK® Classic Storage Chest

WWW.KNAACK.COM

ATTENTION: PLEASE READ AND UNDERSTAND ALL INSTRUCTIONS AND WARNINGS BEFORE ASSEMBLING, INSTALLING OR USING THIS PRODUCT.

DANGER

- Do not put fuels, flammables, explosives or hazardous materials inside these products.
- Gasoline, solvents, gun powder or other munitions, dynamite, propane, acetylene or other such products can explode if stored inside these products.
- Use these products ONLY for storing and transporting electric or hand tools and equipment, and other similar materials.
- Failure to comply could result in death or serious body injury. or porperty damage.

WARNING

Read and understand all instructions and warnings before operating or using this product.

– NOTICE –

Any modification or unintended use of this product shall immediately void all manufacturers warranties. Manufacturer disclaims all liability for injuries to persons or property resulting from any modification to, or unintended use of this product.

TOOLS REQUIRED

One Wrench with 7/16" Socket

INSTALLATION INSTRUCTIONS

PADLOCK INFORMATION- Padlock with 7/8"-1" shackle height (figure 2) (recommended Master No 5 or equivalent, not included).

- STEP 1.** Open your padlock and slide the U-bolt over the lock shackle.
- STEP 2.** Slide the lock through the lock housing on the front of the box (figure 1).
- STEP 3.** Guide the U-bolt through the two holes in the back of the lock housing (figure 1).
- STEP 4.** Secure the U-bolt with the two nylon lock nuts supplied.
- STEP 5.** Repeat the procedure for the second lock.
- STEP 6.** To lock, close lid and push bottom of padlock until lock "clicks" closed.
- STEP 7.** To open, turn key and open lid.

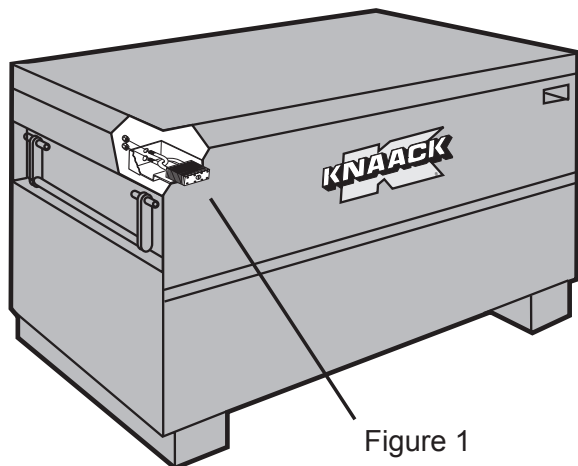


Figure 1

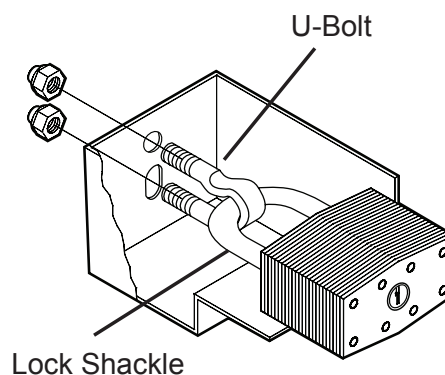


Figure 1



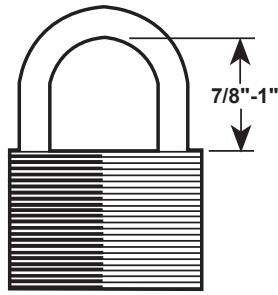


Figure 2
(measure height
when lock is closed)

REPLACEMENT PARTS

MODEL NO.	DESCRIPTION	USE WITH	QTY.
7357	U-Bolt & Nylon Lock Nut Hardware Kit	2032, 2048, 2060, 3068	4 Pack
7359	U-Bolt & Nylon Lock Nut Hardware Kit	2032, 2048, 2060, 3068	8 Pack

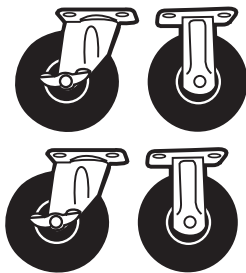
- No other replacement parts are available for these models.

OTHER ACCESSORIES AVAILABLE TO COMPLIMENT YOUR KNAACK® CLASSIC CHEST

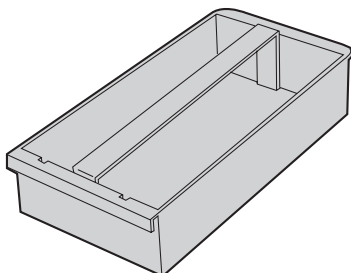
MODEL NO.	DESCRIPTION	USE WITH	QUANTITY
606	6" Caster Set Without Brakes	2032, 2048, 2060, 3068	1360 lbs.
607	6" Caster Set With Brakes	2032, 2048, 2060, 3068	1360 lbs.

! CAUTION

Casters are not suitable for keeping the units in place when transporting. Do not use casters on uneven or rough surfaces. Do not tow caster mounted boxes. Failure to comply can cause injury or property damage.



- Casters come as a set of four.
- Load ratings are for all four wheels combined.
- Load rating includes KNAACK® Storage Chest weight and contents.
- Each caster set includes two rigid, two swivel and mounting bolts.
- KNAACK® Casters are recommended for use with KNAACK® Products.



MODEL NO.	DESCRIPTION	USE WITH	QUANTITY
41	Accessory Tray	2032	1
	Designed to Suspend		
	Across Top Of Chest		

KNAACK LLC LIMITED WARRANTY FOR KNAACK® PRODUCTS

The following limited warranty applies to all KNAACK® branded products for the warranty period set forth below. If you have any questions or need assistance regarding the warranty of your product, please call our customer service department: (800) 456-7865, 8:00 am - 4:30 pm CST.

KNAACK® Products - Limited Warranty

Knaack LLC, located at 420 E. Terra Cotta Avenue, Crystal Lake, IL 60014 ("Manufacturer") warrants to the original purchaser only, subject to the exclusions described below, that its KNAACK® branded products (each a "KNAACK® Product") will be free from defects in material and workmanship for a period of three (3) years from the date of purchase. This limited warranty terminates if the original purchaser transfers the KNAACK® Product to any other person.

What is Not Covered

This limited warranty does not extend to and expressly excludes:

- Losses or damages to the KNAACK® Product which are expected to occur during the normal course of its use, including without limitation, normal wear and tear, (as determined by the Manufacturer in its sole and absolute discretion), cosmetic rust, scratches, dents or comparable and reasonable expected losses or damages.
- Losses or damages to the KNAACK® Product resulting from conditions beyond the Manufacturer's control including without limitation, misuse, accident, abuse, neglect, negligence (other than Manufacturer's), overloading, unauthorized modification or alteration, use beyond rated capacity, or failure to install, maintain, assemble, mount or apply the KNAACK® Product in accordance with the Manufacturer's written instructions or guidelines as provided by Manufacturer to the original purchaser.
- Damage to the contents of the KNAACK® Product.

What We Will Do to Correct Problems

If a claim made during the Warranty Period is covered under this limited warranty, the Manufacturer or its authorized representative or local authorized dealer will, at the Manufacturer's sole option, (a) repair the defective portion of the KNAACK® Product or (b) replace the entire KNAACK® Product, or (c) a refund equal to the purchase price paid for the KNAACK® Product or a credit to be used toward the purchase of new KNAACK® Product. THE SOLE AND EXCLUSIVE REMEDY FOR BREACH OF THIS LIMITED WARRANTY SHALL BE LIMITED TO REPAIR, CORRECTION OR REPLACEMENT OF THE KNAACK® PRODUCT, OR REFUND OR CREDIT OF THE PURCHASE PRICE.

No Other Express Warranty Applies

This limited warranty is the sole and exclusive warranty provided to original purchasers of a KNAACK® Product identified above. No employee, agent, dealer, or other person is authorized to alter this limited warranty or make any other warranty on behalf of the Manufacturer. The terms of this limited warranty shall not be modified by the Manufacturer, the original owner, or their respective successors or assigns.

How to Notify Us

The original purchaser must promptly notify the Manufacturer upon its discovery that the KNAACK® Product contains a defect in materials or workmanship by calling the following number: (800) 456-7865. Notification must be made during the warranty period. In order for a warranty claim to be processed, a copy of the original sales receipt must be provided to the Manufacturer or at Manufacturer's instruction, to its authorized representative or local authorized dealer. The Manufacturer will determine, in its sole and absolute discretion whether the claim is covered or subject to the limitations or exclusions described in this limited warranty. The original purchaser may be asked to contact Manufacturer's authorized representative or local authorized dealer for further instructions on how to obtain the remedies available to it under this limited warranty. Repairs or modifications made to the KNAACK® Product by other than the Manufacturer, its authorized representative or local authorized dealer will nullify this limited warranty. Coverage under this limited warranty is conditioned at all times upon the original purchaser's compliance with these required notification and repair procedures.

Limitation of Liability

TO THE EXTENT PERMITTED BY LAW, IN NO EVENT SHALL THE MANUFACTURER BE LIABLE FOR ANY INCIDENTAL, SPECIAL, INDIRECT, OR CONSEQUENTIAL DAMAGES, INCLUDING ANY ECONOMIC LOSS, WHETHER RESULTING FROM NONPERFORMANCE, USE, MISUSE OR INABILITY TO USE THE KNAACK® PRODUCT OR THE MANUFACTURER'S NEGLIGENCE. SELLER SHALL NOT BE LIABLE FOR DAMAGES CAUSED BY DELAY IN PERFORMANCE AND IN NO EVENT, REGARDLESS OF THE FORM OF THE CLAIM OR CAUSE OF ACTION (WHETHER BASED IN CONTRACT, INFRINGEMENT, NEGLIGENCE, STRICT LIABILITY, OTHER TORT OR OTHERWISE), SHALL MANUFACTURER'S LIABILITY TO BUYER AND/OR ITS CUSTOMERS EXCEED THE PRICE PAID BY THE ORIGINAL OWNER FOR THE KNAACK® PRODUCT. The term "consequential damages" shall include, but not be limited to, loss of anticipated profits, business interruption, loss of use or revenue, cost of capital or loss or damage to property or equipment.

Some states do not allow the exclusion or limitation of incidental or consequential damages, so the above limitation may not apply to you.

This limited warranty gives you specific legal rights, and you may also have other rights which vary from State to State.

Knaack LLC
ATTN: Warranty Claims
420 E. Terra Cotta Avenue Crystal Lake, IL 60014
www.knaack.com

If you have any questions, please call toll free at 1-800-456-7865.

©2013 Knaack LLC

